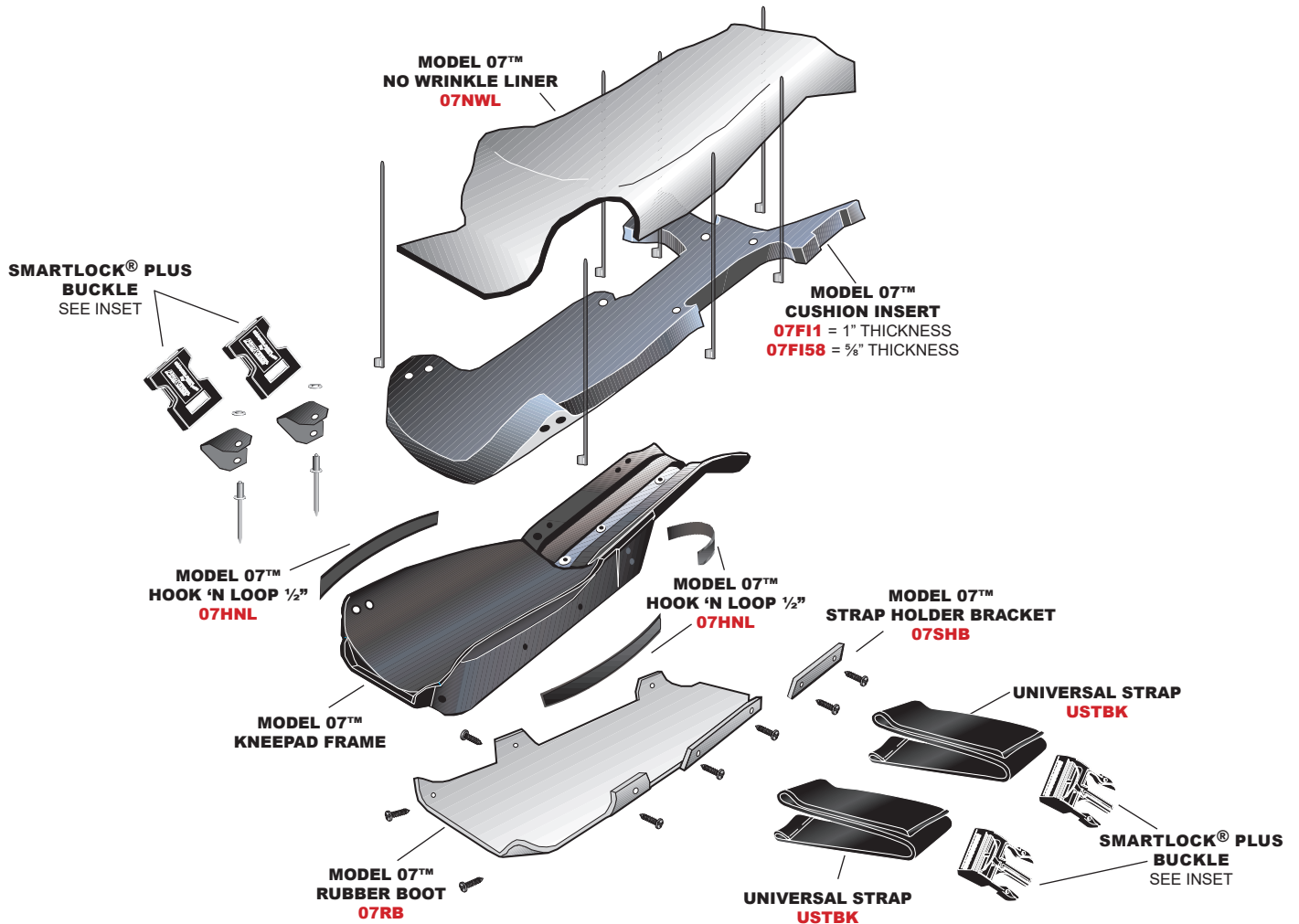


Please refer to this model number when ordering parts.

SKU CODES DENOTED IN RED FOR ORDER EFFICIENCY



Works with all custom fit models past & present and replaces all straps with hook 'n loop".
 For custom length, cut excess strap length & leave 3". Singe cut end with lighter to prevent fraying.
 *Straps with hook 'n loop available for purchase upon special order request

INSET

LOCK

MALE END FEMALE END

SMARTLOCK® PLUS BUCKLE
SLPB

Compatible with
ORIGINAL/MODEL 07™
BUCKLE HARDWARE KIT
BHK-B

RIVET
 WASHER
 LEATHER PIECE (DOG TAG)

LONGER BUCKLE SLOT IS USED TO ATTACH BUCKLE TO MODEL 07 (OUTLINED IN RED). SHORTER SLOT FACES OUT.